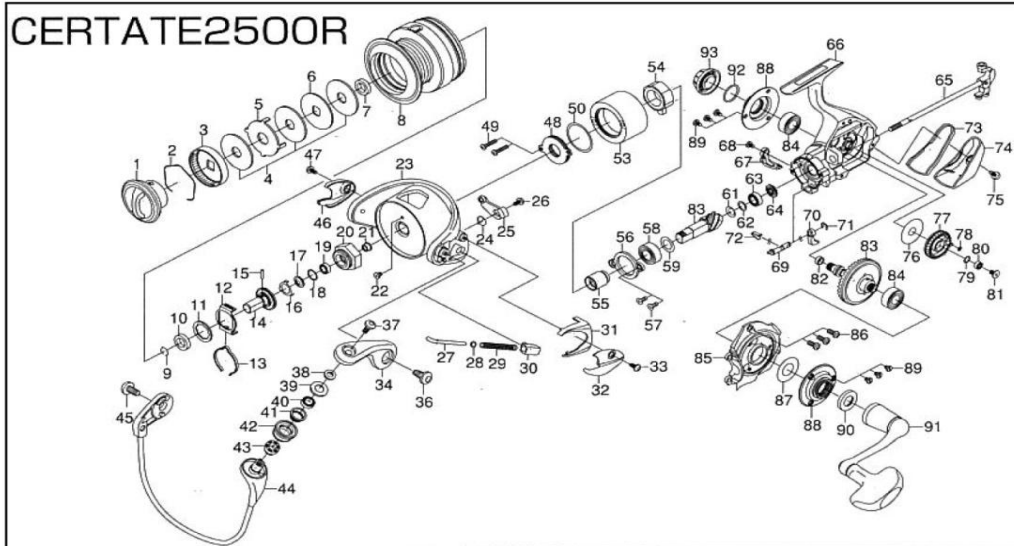


# 10 CERTATE 2500R



KEY NO.	PART NO.	PART DESCRIPTION	KEY NO.	PART NO.	PART DESCRIPTION
1	6H418201	DRAG KNOB	47	6H431301	SCREW
2	6F710001	DRAG RETAINER	48	6H532601	MAGNET ASSEMBLY
3	6F895301	CLICK PLATE	49	6H413201	SCREW
4	6F691001	DRAG WASHER	50	6H413001	O RING
5	6F627301	EARED WASHER	53	6H519301	CAP
6	6F627201	KEY WASHER	54	6H412601	ROLLER CLUTCH
7	6H416301	COLLAR	55	6H412501	SPACING SLEEVE
8	6H485601	SPOOL ASSEMBLY	56	6H411501	BEARING PLATE
9	6G472401	RETAINER	57	6E134501	SCREW
10	6H416301	SPOOL METAL COLLAR	58	6G535101	BEARING
11	6H416201	SPOOL WASHER	59	6H411401	BEARING WASHER
12	6H416001	CLICK HOLDER	61	6G572501	SPRING WASHER
13	6H416101	CLICK LEAF SPRING	62	63755202	WASHER
14	6H485501	SPOOL METAL	63	6G467101	BEARING
15	6G375001	PIN	64	6H459401	PINION COLLAR
16	6H415801	NUT PLATE	65	6H485201	MAIN SHAFT
17	6H415701	PACKING	66	6H458601	BODY
18	6G466103	WASHER	67	6H412201	BAIL KICK COLLAR
19	6G466201	BEARING	68	6H455401	SCREW
20	6H415601	ROTOR NUT	69	6H410001	STOPPER CAM
21	6H461101	COLLAR	70	6H410101	STOPPER LEVER
22	6H022701	SCREW	71	6B339801	RETAINER
23	6H413501	ROTOR	72	6H410201	CAM LEAF SPRING
24	6H413601	KICK LEVER SPRING	73	6H472601	REAR CAP PACKING
25	6H413701	KICK LEVER	74	6G472701	REAR COVER
26	6H417701	SCREW	75	6H512401	SCREW
27	6H414101	SHAFT	76	6H458801	WASHER
28	6H576101	PLATE	77	6H484601	OSC. GEAR
29	6H545701	SPRING	78	6G869601	O RING
30	6H414301	HOLDER	79	6G466101	WASHER
31	6H414001	COVER (A)	80	6G466202	BEARING
32	6H414601	COVER (B)	81	6G940402	SCREW
33	6H431301	SCREW	82	6H459901	DRIVE GEAR RING
34	6H414401	BAIL ARM	83	6Z019615	GEAR SET
36	6H431201	SCREW	84	6G467302	BEARING
37	6H431401	ROLLER SCREW	85	6H460101	BODY COVER
38	6H415401	COLLAR (A)	86	6H431001	SCREW
39	6H038301	PACKING	87	6H412401	WASHER
40	6G686902	LINE ROLLER BEARING	88	6H460002	COVER
41	6H415301	COLLAR (B)	89	6F623305	SCREW
42	6G686701	LINE ROLLER	90	6H417101	HANDLE PACKING
43	6H415201	COLLAR (A)	91	6H461401	HANDLE ASSEMBLY
44	6H414701	BAIL WIRE	92	6G806001	O RING
45	6H431201	SCREW	93	6H417201	HANDLE SCREW CAP
46	6H415101	COVER			